

JAL-KM9-OVM6211 V1.0

OmniVision OVM6211 MIPI Interfaccia Messa a fuoco fissa 400x400 Metà
VGA Modulo telecamera

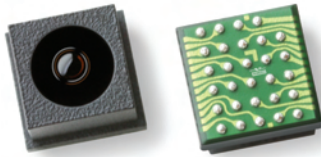


Modulo telecamera n.	JAL-KM9-OVM6211 V1.0
Sensore d'immagine	OVM6211
EFL	1.68 mm
F.NO	3.1
Pixel	400 x 400
Vista ad angolo	50°
Tipo di lente	1/10.5 pollice
Dimensioni dell'obiettivo	3.23 x 3.23 x 2.76 mm
Dimensione del modulo	30.00 x 5.00 mm
Tipo di modulo	Messa a fuoco fissa
Interfaccia	MIPI

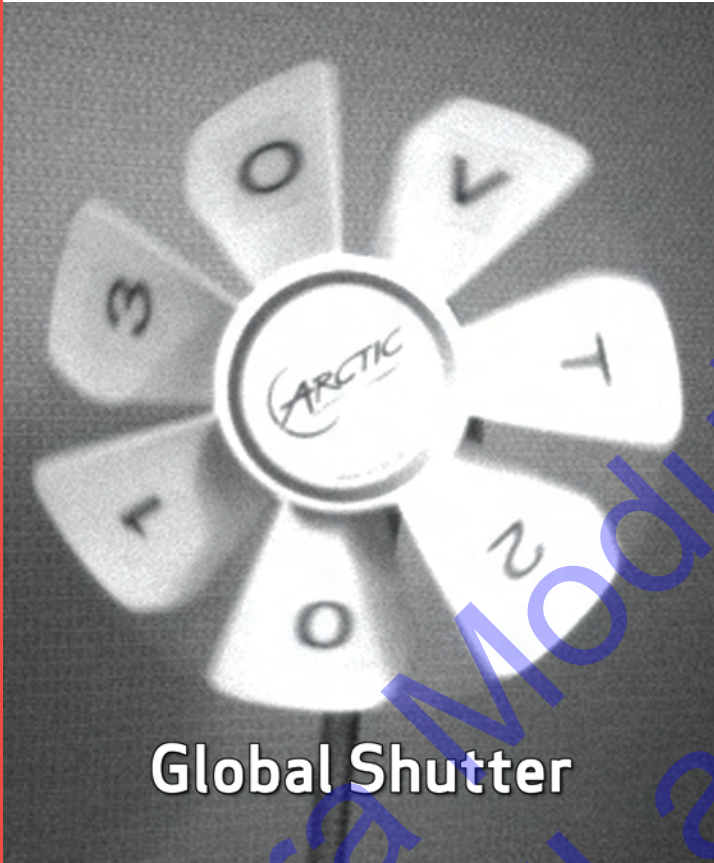
Connettore di accoppiamento Codice. AXT524124



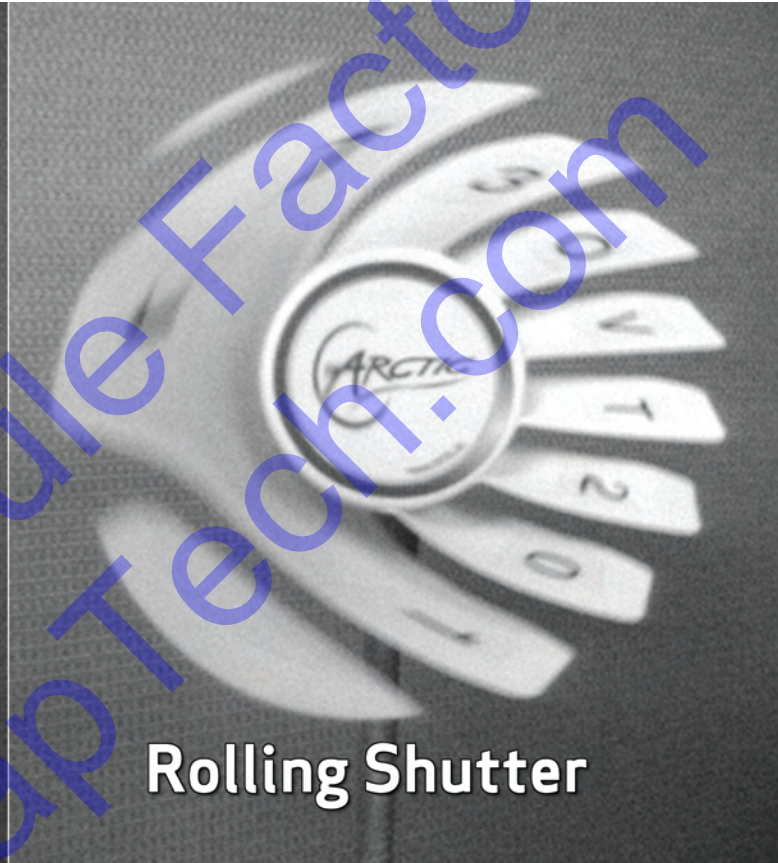
Connettore di accoppiamento sulla scheda principale. Venduto separatamente.



OVM6211 400x400 product brief



Global Shutter



Rolling Shutter

Compact Global Shutter CameraCubeChip™ Brings Computer Vision to Mobile Devices, Notebooks and Wearables



available in a lead-free package

OmniVision's high performance OVM6211 offers a number of advanced features, including gesture recognition, eye tracking and motion detection in the industry's smallest global shutter package. Its advanced functionality, easy adoption and compact form-factor make it an ideal camera solution for advanced space-constrained devices, such as smartphones, tablets, notebooks and wearables.

Featuring a 3-micron OmniPixel3-GS™ global shutter pixel, the OVM6211 is capable of capturing full resolution (400 x 400 pixels) video at 120 fps and features two low-power modes: light sensing mode and ultra-low power mode.

The OVM6211 CameraCubeChip™ will be available in two packages. The OVM6211-RADA is intended for human interface systems including eye tracking and will have a narrow field of view (FOV) at approximately 50 degrees. The OVM6211-RAHA is a complementary product intended for applications including gesture recognition and wearable devices and uses a lens with FOV wider than 90 degrees.

Find out more at www.ovt.com.



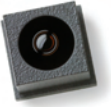
Applications

- Cellular Phones
- Tablets
- Digital Video Camcorders (DVC)
- Security/Surveillance
- PC Multimedia
- Gaming

Product Features

- 3 μm global shutter pixel
- programmable SCCB device ID
- automatic black level calibration (ABLC)
- one-lane MIPI serial output interface
- programmable controls for:
 - frame rate
 - mirror and flip
 - cropping and windowing
- embedded 128 bits of one-time programmable (OTP) memory for part identification, etc.
- supports output formats: 8/10-bit RAW
- two on-chip phase lock loop (PLL)
- programmable I/O drive capability
- supports images sizes:
 - 400 x 400
 - 200 x 200
 - 100 x 100
- built-in 1.5V regulator for core
- PWM
- fast mode switching
- built-in strobe control
- supports horizontal and vertical 2:1 and 4:1 monochrome subsampling
- ultra low power mode for ambient light sensor
- supports 2x2 monochrome binning
- standard serial SCCB interface

OVM6211



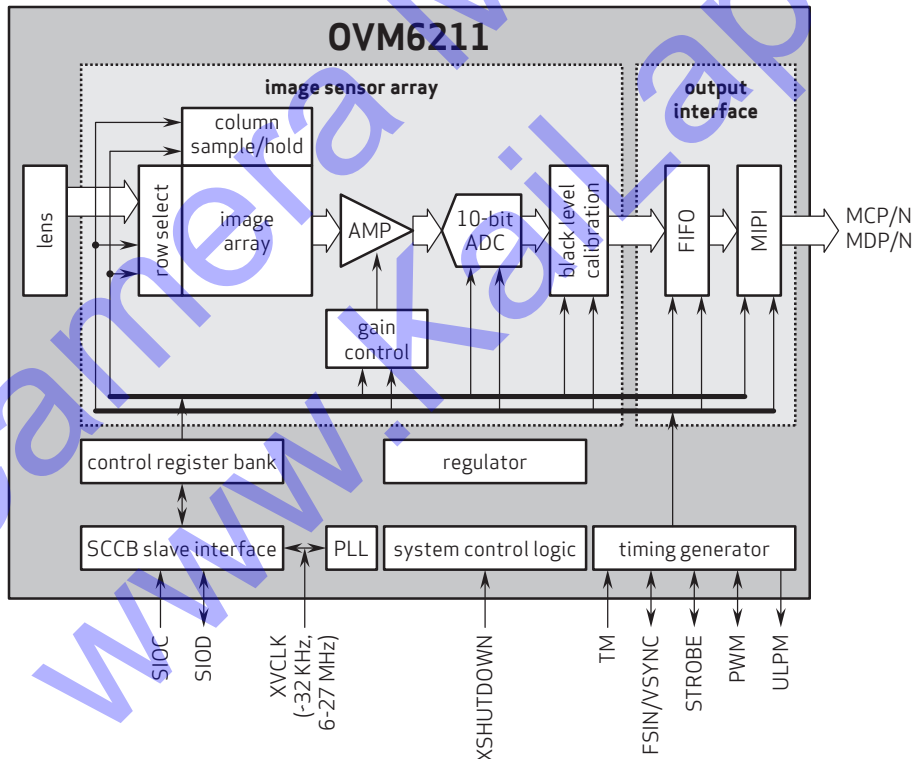
Ordering Information

- OVM6211-RADA** (B&W, lead-free, CameraCubeChip™ with black coating, 50° FOV)
- OVM6211-RAHA** (B&W, lead-free, CameraCubeChip™ with black coating, 90° FOV)

Product Specifications

- active array size:** 400 x 400
- f no.:**
 - OVM6211-RADA: 3.1
 - OVM6211-RAHA: 2.4
- power supply:**
 - analog: 2.6 - 3.0V
 - core: 1.5 VDC $\pm 5\%$
 - I/O: 1.7 - 3.0V
- power requirements:**
 - active: 85 mW @ 120 fps
 - standby: 15 μA for AVDD, 40/700 μA for DOVDD with/without input clock
 - XSHUTDOWN: 5 μA for AVDD, 5 μA for DOVDD
- temperature range:**
 - operating: -30°C to +70°C junction temperature
 - stable image: 0°C to +50°C junction temperature
- output formats:** 8/10-bit RAW
- optical format:** 1/10.5"
- input clock frequency:** 6 - 27 MHz
- scan mode:** progressive
- focal length:**
 - OVM6211-RADA: 1.681 mm
 - OVM6211-RAHA: 0.776 mm
- maximum image transfer rate:**
 - 400x400: 120 fps
 - 200x200: 220 fps
 - 100x100: 380 fps
- max S/N ratio:** 37.5 dB
- dynamic range:** 66.5 dB @ 8x gain
- maximum exposure interval:** 434 x t_{row}
- pixel size:** 3 μm x 3 μm
- image area:** 1248 μm x 1248 μm

Functional Block Diagram



4275 Burton Drive
Santa Clara, CA 95054
USA

Tel: + 1 408 567 3000
Fax: + 1 408 567 3001
www.ovt.com

OmniVision reserves the right to make changes to their products or to discontinue any product or service without further notice. OmniVision, the OmniVision logo and OmniPixel are registered trademarks of OmniVision Technologies, Inc. OmniPixel3-H5 is a trademark of OmniVision Technologies, Inc. All other trademarks are the property of their respective owners.



OmniVision